

Sold by: www.bluejayindustrial.com



PEERLESS™
INDUSTRIAL GROUP

V10

GRADE 100 ACCESSORIES

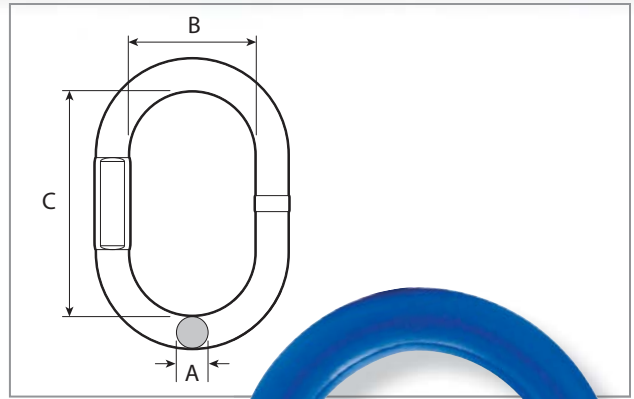
- Oblong Master Links
- Sub-Assemblies/Small Sub-Links
- Sub-Assemblies /Large Sub-Links
- Coupling Link
- Shortening Clutch/Safety Latch
- Eye Grab Hook
- Clevis Grab Hook
- Eye Sling Hook/Latch
- Clevis Sling Hook/Latch
- Eye Self-Locking Hook
- Clevis Self-Locking Hook
- Swivel Self-Locking Hook
- Eye Foundry Hook
- Clevis Foundry Hook
- Latch Kits for Sling Hooks
- Latch Kits/Self-Locking Hooks
- Pins for Clevis Hooks
- Spare Pin & Collar Sets/ Coupling Links
- G80 & G100 Alloy Chain



V10

GRADE 10 ACCESSORIES

Sold by: www.bluejayindustrial.com

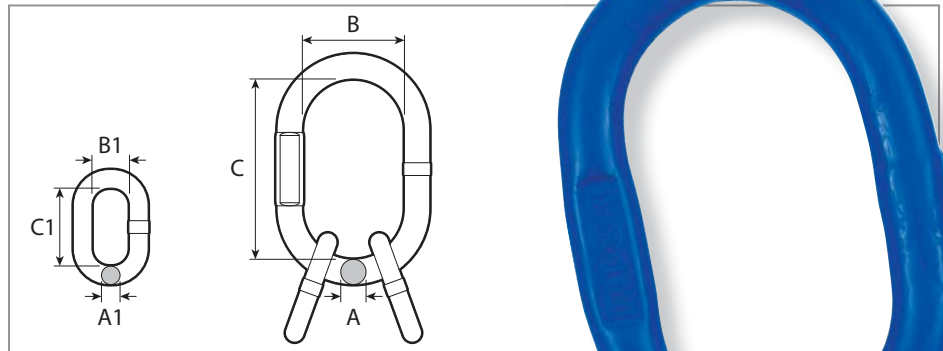


Oblong Master Links

STOCK #	Trade Size		Dimensions (Inches)			Lbs. Per Each	WLL 2 Leg Chain Sling @ 60°
	Inches	mm	A	B	C		
8851000	1/2	13	0.512	2.362	4.331	0.8	4,700
8851100	5/8	16	0.630	2.362	4.331	1.2	7,400
8851200	3/4	18	0.709	2.953	5.315	1.8	9,900
8851300	7/8	22	0.866	3.543	6.299	3.3	15,200
8851400	1	26	1.024	3.937	7.087	5.1	26,000
8851500	1-1/4	32	1.260	4.331	7.874	8.6	39,100
8851600	1-1/2	38	1.496	5.906	10.827	16.5	61,100
8851700	1-3/4	45	1.772	7.087	13.386	28.3	74,000
8851800	2	50	1.969	7.480	13.780	36.4	103,400
8851900	2-1/4	60	2.362	7.874	15.748	59.5	156,600



Sub-Assemblies with Small Sub-Links



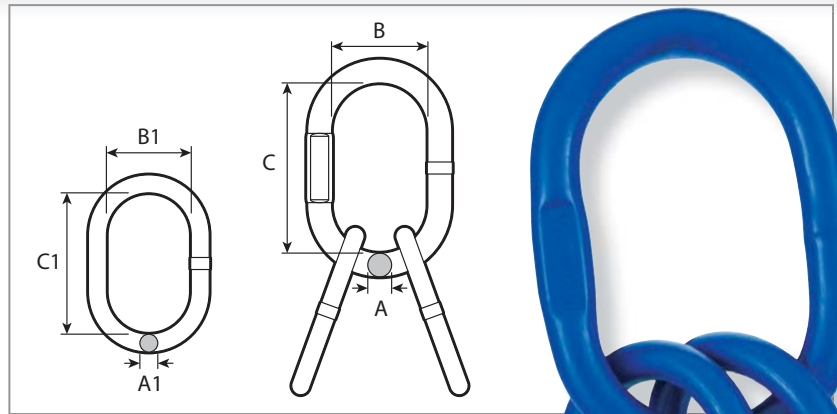
STOCK #	Trade Size		Dimensions (Inches)						Lbs. Per Each	WLL 3-4 Leg Chain Sling @ 60°
	Inches	mm	A	B	C	A1	B1	C1		
8852110	3/4	18	0.709	2.953	5.315	0.512	0.984	2.126	2.6	11,200
8852210	7/8	22	0.866	3.543	6.299	0.630	1.339	2.756	4.9	14,800
8852310	1	26	1.024	3.937	7.087	0.709	1.575	3.346	7.4	22,900
8852410	1-1/4	32	1.260	4.331	7.874	0.866	1.969	4.528	13.3	39,000
8852510	1-1/2	36	1.417	5.512	10.236	1.024	2.559	5.512	21.9	58,700
8852610	1-3/4	51	2.008	7.480	13.780	1.260	2.756	5.906	51.4	91,700
8852710	2	51	2.008	7.480	13.780	1.417	2.953	6.693	56.9	110,900
8852810	2-1/4	57	2.244	7.874	15.748	1.575	3.150	6.693	56.9	155,105



WARNING

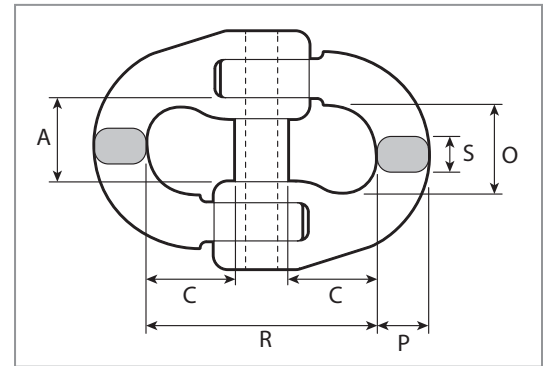
DO NOT exceed the Working Load Limit! (WLL)

Sub-Assemblies with Large Sub-Links



STOCK #	Trade Size		Dimensions (Inches)						Lbs. Per Each	WLL 3-4 Leg Chain Sling @ 60°
	Inches	mm	A	B	C	A1	B1	C1		
8852100	3/4	20	0.787	3.740	6.299	0.551	2.756	4.724	6.4	11,200
8852200	7/8	23	0.906	4.331	6.299	0.630	3.150	5.512	6.8	14,800
8852300	1	27	1.063	4.331	7.480	0.787	3.740	6.299	11.0	22,900
8852400	1-1/4	33	1.299	5.118	9.055	1.063	4.331	7.480	22.0	39,000
8852500	1-1/2	38	1.496	5.906	10.827	1.299	5.118	9.055	37.5	58,700
8852600	1-3/4	45	1.772	7.087	13.386	1.496	5.906	10.827	61.3	91,700
8852700	2	50	1.969	7.480	13.780	1.772	7.087	13.386	93.0	110,900
8852800	2-1/4	60	2.362	7.874	15.748	1.989	7.480	13.780	132.5	155,105

Coupling Link

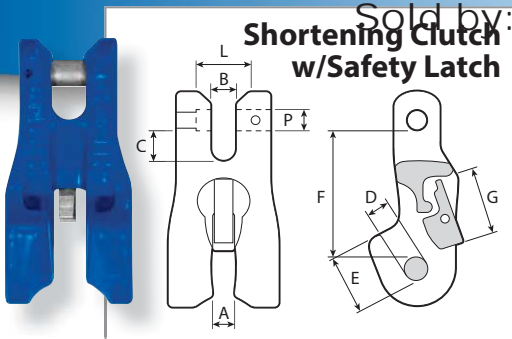


STOCK #	Trade Size		Dimensions (Inches)						Lbs. Per Each	Working Load Limit (lbs.)
	Inches	mm	A	C	O	R	P	S		
8952900	7/32	6	0.551	0.709	0.709	1.772	0.315	0.295	0.15	3,100
8953100	9/32	7	0.701	0.787	0.807	1.988	0.402	0.354	0.26	4,300
8953000	5/16	8	0.748	1.004	0.925	2.441	0.453	0.394	0.42	5,700
8953210	3/8	10	0.937	1.181	1.083	2.835	0.496	0.496	0.80	8,800
8953300	1/2	13	1.102	1.417	1.311	3.437	0.748	0.657	1.63	15,000
8953400	5/8	16	1.350	1.594	1.555	4.134	0.811	0.811	3.15	22,600
8953510	3/4	20	1.654	1.811	1.811	4.449	1.142	0.984	5.80	35,300
8953610	7/8	22	1.929	2.165	2.283	5.236	1.181	1.102	8.29	42,700
8453700	1	22	2.244	3.346	2.756	7.559	1.575	1.181	14.99	59,600

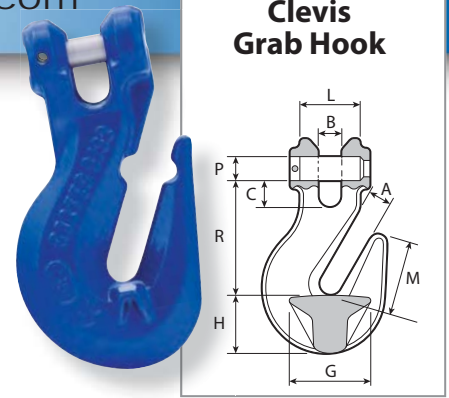
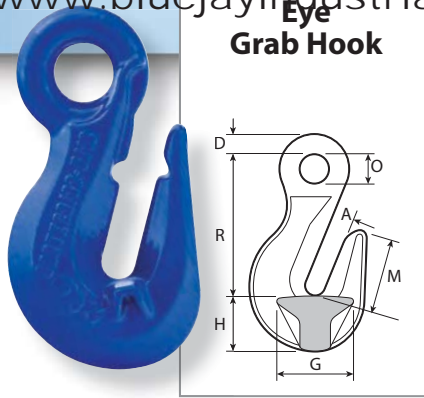


WARNING

DO NOT exceed the Working Load Limit! (WLL)



Shortening Clutch



STOCK #	Trade Size		Dimensions (Inches)								Lbs. Per Each	Working Load Limit (lbs.)
	Inches	mm	A	B	C	D	E	F	G	PxL		
8948100	7/32	6	0.315	0.315	0.394	0.315	0.748	1.772	0.906	0.30x0.69	0.46	3,100
8948200	9/32	7	0.374	0.374	0.394	0.374	0.925	2.205	1.142	0.35x0.89	1.06	4,300
8948300	5/16	8	0.374	0.374	0.394	0.374	0.925	2.205	1.142	0.39x0.89	1.06	5,700
8948400	3/8	10	0.472	0.472	0.571	0.472	1.280	3.071	1.417	0.51x1.24	2.47	8,800
8948600	1/2	13	0.610	0.610	0.709	0.610	1.732	3.543	1.378	0.63x1.65	4.04	15,000
8948700	5/8	16	0.748	0.827	0.827	0.748	1.969	4.173	1.496	0.83x2.03	6.24	22,600

Eye Grab Hook

STOCK #	Chain Size		Dimensions (Inches)							Lbs. Per Each	Working Load Limit (lbs.)
	Inches	mm	A	D	G	H	O	R	M		
8927100	7/32	6	0.315	0.335	0.866	0.866	0.472	2.028	1.398	0.51	3,100
8927200	9/32-5/16	7-8	0.394	0.433	1.181	1.102	0.669	2.717	1.850	1.15	5,700
8927400	3/8	10	0.512	0.591	1.732	1.339	0.866	3.406	2.165	2.21	8,800
8927600	1/2	13	0.669	0.709	2.087	1.850	1.024	4.350	3.189	4.74	15,000
8927700	5/8	16	0.748	0.827	2.520	2.362	1.260	5.079	3.622	9.04	22,600
8927810	3/4	20	0.925	0.906	3.346	2.520	1.496	6.024	3.937	14.55	35,300
8927900	7/8	22	1.024	1.024	3.622	2.559	1.614	7.087	4.764	16.54	42,700
8928000	1	26	1.201	1.417	3.937	3.543	2.165	8.386	5.000	28.66	59,600

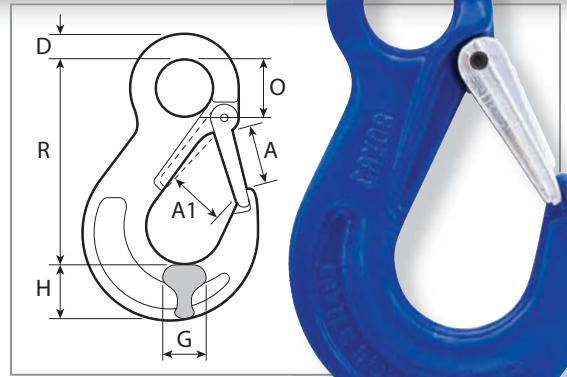
Clevis Grab Hook

STOCK #	Chain Size		Dimensions (Inches)								Lbs. Per Each	Working Load Limit (lbs.)
	Inches	mm	A	B	C	G	H	R	M	PxL		
8928100	7/32	6	0.310	0.315	0.346	0.866	0.866	1.988	1.398	0.295 x 0.689	0.55	3,100
8928200	9/32	7	0.390	0.394	0.449	1.181	1.102	2.579	1.850	0.354 x 0.886	0.97	4,300
8928300	5/16	8	0.394	0.394	0.429	1.181	1.102	2.555	1.850	0.394 x 0.886	0.97	5,700
8928400	3/8	10	0.512	0.512	0.591	1.732	1.339	3.146	2.165	0.512 x 1.24	2.12	8,800
8928610	1/2	13	0.669	0.669	0.689	2.087	1.850	4.150	3.189	0.63 x 1.654	4.70	15,000
8928710	5/8	16	0.748	0.748	0.720	2.520	2.362	4.402	3.622	0.827 x 2.028	8.38	22,600
8928810	3/4	20	0.920	0.906	0.866	3.346	2.559	4.646	3.937	0.945 x 2.421	16.05	35,300
8928910	7/8	22	1.024	1.024	0.984	3.622	2.677	6.063	4.724	1.024 x 2.835	21.01	42,700



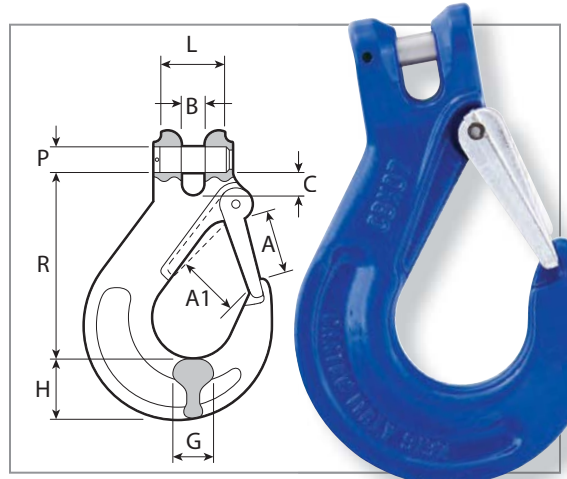
DO NOT exceed the Working Load Limit! (WLL)

Eye Sling Hook with Latch



STOCK #	Chain Size		Dimensions (Inches)							Lbs. Per Each	Working Load Limit (lbs.)
	Inches	mm	A	A1	D	G	H	O	R		
8917100	7/32	6	1.024	0.748	0.394	0.630	0.787	0.807	3.189	0.73	3,100
8917200	9/32-5/16	7-8	1.299	1.024	0.433	0.748	1.142	0.984	3.976	1.23	5,700
8917400	3/8	10	1.575	1.220	0.630	1.024	1.299	1.339	5.157	2.14	8,800
8917600	1/2	13	2.008	1.575	0.748	1.299	1.654	1.693	6.260	4.32	15,000
8917700	5/8	16	2.205	1.772	0.965	1.575	1.969	1.969	7.205	8.20	22,600
8917800	3/4	20	2.362	2.047	1.063	1.890	2.087	2.165	7.992	13.12	35,300
8917900	7/8	22	2.756	2.441	1.142	1.969	2.362	2.362	8.819	17.35	42,700
8918000	1	22	3.031	2.874	1.378	2.362	2.953	2.756	10.118	26.46	59,600

Clevis Sling Hook with Latch



STOCK #	Chain Size		Dimensions (Inches)								Lbs. Per Each	Working Load Limit (lbs.)
	Inches	mm	A	A1	B	C	G	H	R	P x L		
8918100	7/32	6	1.024	0.748	0.283	0.315	0.591	0.787	2.717	0.295x0.689	0.60	3,100
8918200	9/32	7	1.339	1.024	0.374	0.394	0.748	1.102	3.740	0.354x0.886	1.21	4,300
8918300	5/16	8	1.339	1.024	0.374	0.394	0.748	1.102	3.740	0.394x0.886	1.10	5,700
8918400	3/8	10	1.575	1.220	0.472	0.531	0.984	1.299	4.331	0.512x1.161	2.60	8,800
8918600	1/2	13	2.008	1.575	0.591	0.669	1.181	1.575	5.354	0.630x1.457	3.75	15,000
8918700	5/8	16	2.205	1.772	0.709	0.866	1.457	1.890	6.102	0.787x2.047	7.50	22,600
8918800	3/4	20	2.362	2.087	0.906	1.024	2.008	2.047	7.283	0.945x2.874	11.03	35,300
8918900	7/8	22	2.756	2.441	0.984	1.142	1.969	2.480	8.268	1.024x2.835	27.12	42,700



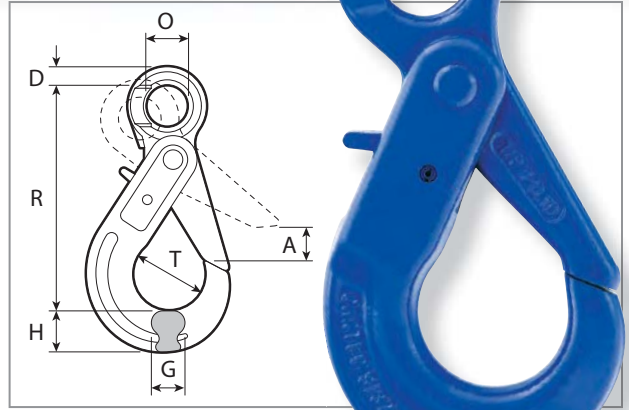
WARNING

DO NOT exceed the Working Load Limit! (WLL)

V10

GRADE 100 ACCESSORIES

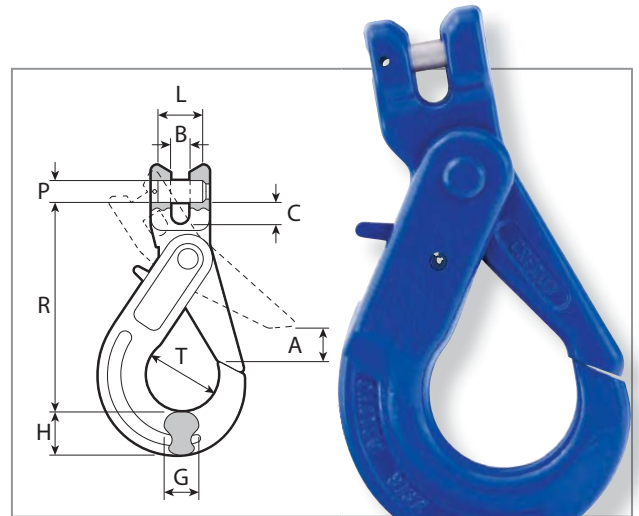
Sold by: www.bluejayindustrial.com



Eye Self-Locking Hook

STOCK #	Chain Size		Dimensions (Inches)							Lbs. Per Each	Working Load Limit (lbs.)
	Inches	mm	A	D	G	H	O	R	T		
8997100	7/32	6	1.102	0.433	0.630	0.827	0.827	4.291	1.378	1.17	3,100
8997200	9/32-5/16	7-8	1.339	0.472	0.787	1.024	0.984	5.315	1.693	1.96	5,700
8997400	3/8	10	1.772	0.630	0.984	1.181	1.299	6.614	2.205	3.48	8,800
8997600	1/2	13	2.008	0.787	1.378	1.575	1.575	8.071	2.717	7.17	15,000
8997700	5/8	16	2.362	1.063	1.417	1.969	1.969	9.882	3.150	13.34	22,600
8997800	3/4	20	2.756	1.181	2.362	2.638	2.362	11.417	3.543	21.61	35,300
8997900	7/8	22	3.150	1.260	2.441	2.756	2.756	12.677	3.937	31.75	42,700

Clevis Self-Locking Hook

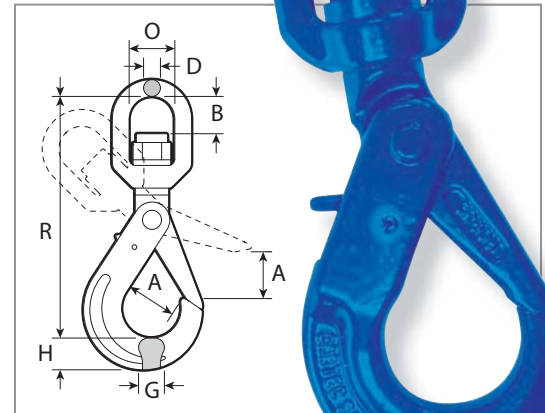


STOCK #	Chain Size		Dimensions (Inches)							Lbs. Per Each	Working Load Limit (lbs.)	
	Inches	mm	A	B	C	G	H	R	T			PxL
8998100	7/32	6	1.102	0.276	0.315	0.630	0.827	3.701	1.378	0.295x0.689	1.10	3,100
8998200	9/32	7	1.339	0.354	0.394	0.787	1.024	4.843	1.693	0.354x0.886	2.12	4,300
8998300	5/16	8	1.339	0.354	0.394	0.787	1.024	4.843	1.693	0.394x0.886	2.12	5,700
8998400	3/8	10	1.772	0.472	0.551	0.984	1.181	5.630	2.205	0.512x1.240	3.53	8,800
8998600	1/2	13	2.008	0.591	0.669	1.378	1.575	7.087	2.717	0.630x1.654	7.06	15,000
8998700	5/8	16	2.362	0.748	0.748	1.417	1.969	8.465	3.150	0.827x2.028	13.23	22,600
8998800	3/4	20	2.756	0.906	1.024	2.362	2.638	9.961	3.543	0.945x2.874	13.23	35,300
8998900	7/8	22	3.228	1.024	1.260	2.441	2.756	11.299	3.937	1.024x2.835	31.75	42,700



WARNING

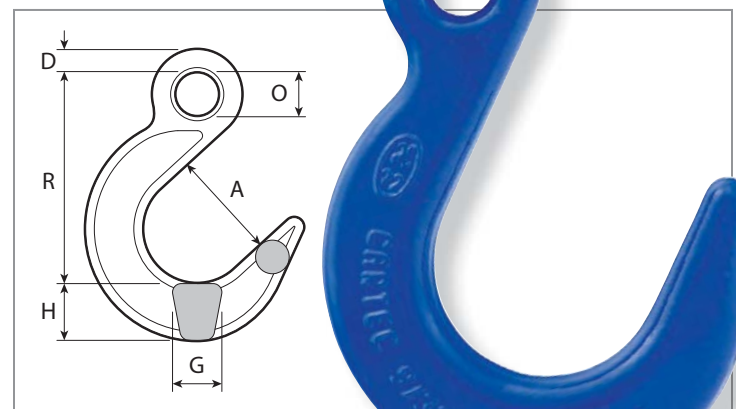
DO NOT exceed the Working Load Limit! (WLL)



Swivel Self-Locking Hook

STOCK #	Chain Size		Dimensions (Inches)							Lbs. Per Each	Working Load Limit (lbs.)
	Inches	mm	R	A	B	O	D	G	H		
8999100	7/32	6	6.220	1.102	0.906	1.417	0.512	0.630	0.827	1.76	3,100
8999200	9/32-5/16	7-8	7.165	1.339	1.063	1.417	0.512	0.787	1.024	2.43	5,700
8999400	3/8	10	8.543	1.772	1.378	1.654	0.630	0.984	1.181	4.41	8,800
8999600	1/2	13	10.669	2.126	1.693	1.969	0.827	1.378	1.575	8.82	15,000
8999700	5/8	16	12.598	2.441	2.283	2.441	0.945	1.496	1.969	14.99	22,600

Eye Foundry Hook



STOCK #	Chain Size		Dimensions (Inches)						Lbs. Per Each	Working Load Limit (lbs.)
	Inches	mm	A	D	G	H	O	R		
8977100	1/4	6	2.106	0.453	0.866	1.024	0.591	4.035	1.35	3,100
8977200	9/32-5/16	7-8	2.520	0.531	0.984	1.142	0.709	4.921	2.49	5,700
8977400	3/8	10	2.992	0.551	0.906	1.181	1.260	5.906	4.39	8,800
8977600	1/2	13	3.504	0.748	1.496	1.575	1.063	6.811	7.30	15,000
8977700	5/8	16	4.016	0.945	1.772	1.890	1.850	8.268	11.69	22,600
8977800	3/4	20	4.488	1.102	2.126	2.362	2.205	10.236	16.98	35,300

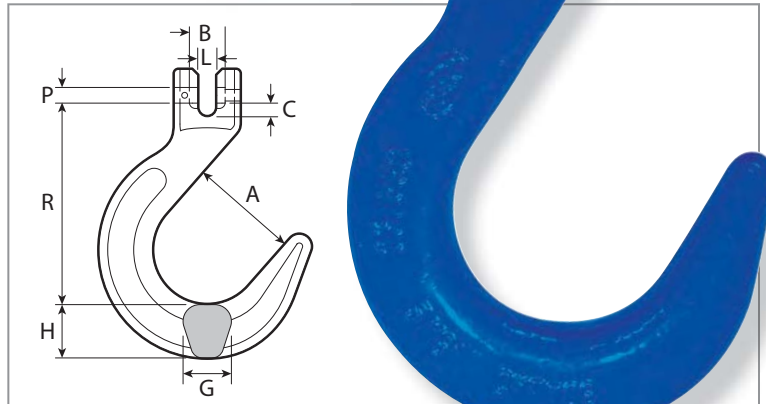


DO NOT exceed the Working Load Limit! (WLL)

V10

GRADE 10 ACCESSORIES

Sold by: www.bluejayindustrial.com

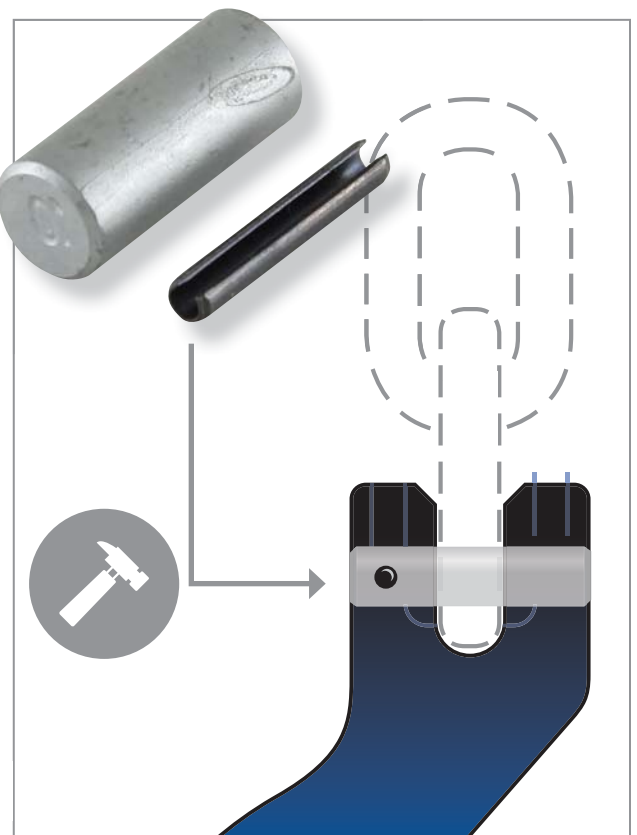


Clevis Foundry Hook

STOCK #	Chain Size		Dimensions (Inches)							Lbs. Per Each	Working Load Limit (lbs.)
	Inches	mm	A	B	C	G	H	R	P x L		
8987100	1/4	6	2.106	0.335	0.256	0.866	1.024	3.583	0.295 x 0.689	1.54	3,100
8987200	9/32	7	2.520	0.394	0.453	1.024	1.220	4.740	0.354 x 0.886	2.43	4,300
8987300	5/16	8	2.520	0.394	0.453	1.024	1.220	4.740	0.394 x 0.886	2.43	5,700
8987400	3/8	10	2.992	0.512	0.591	1.181	1.339	5.157	0.512 x 1.240	3.75	8,800
8987600	1/2	13	3.504	0.669	0.689	1.575	1.752	5.827	0.630 x 1.654	7.94	15,000
8987700	5/8	16	3.976	0.748	0.846	1.772	1.988	7.815	0.827 x 2.028	12.35	22,600

Pins for Clevis Hooks

STOCK #	Chain Size		Use with Stock #
	Inches	mm	
8911199	7/32	6	8928100, 8948100, 8987100, 8998100
8910199	7/32	6	8918100
8910299	9/32	7	8918200, 8928200, 8948200, 8987200, 8998200
8910399	5/16	8	8918300, 8928300, 8948300, 8987300, 8998300
8991399	3/8	10	8948400, 8998400
8911499	3/8	10	8918400
8910499	3/8	10	8928400, 8987400
8990599	1/2	13	8948600, 8998600
8910599	1/2	13	8918600
8911599	1/2	13	8928610, 8987600
8910699	5/8	16	8948700, 8998700
8911699	5/8	16	8918700
8916699	5/8	16	8928710, 8987700
8911799	3/4	20	8928810
8910799	3/4	20	8918800, 8998800
8910899	7/8	22	8918900, 8928910, 8998900



WARNING

DO NOT exceed the Working Load Limit! (WLL)

Latch Kits for Sling Hooks

STOCK #	Chain Size		Use with Stock #
	Inches	mm	
8910077	7/32	6	8917100, 8918100
8910177	9/32-5/16	7-8	8917200, 8918200, 8918300
8910277	3/8	10	8917400, 8918400
8910377	1/2	13	8917600, 8918600
8910477	5/8	16	8917700, 8918700
8910577	3/4	20	8917800, 8918800
8910677	7/8	22	8917900, 8918900
8910777	1	26	8918000



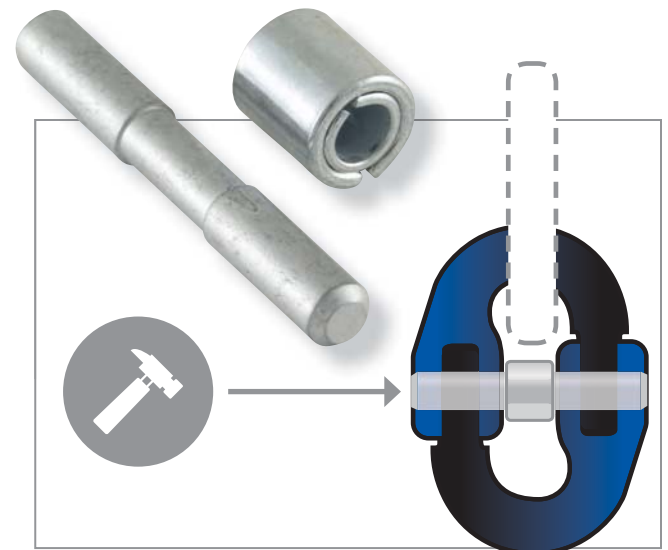
Latch Kits for Self-Locking Hooks

STOCK #	Chain Size		Use with Stock #
	Inches	mm	
8990199	7/32	6	8997100, 8998100, 8999100
8990299	9/32-5/16	7-8	8997200, 8998200, 8998300, 8999200
8990399	3/8	10	8997400, 8998400, 8999400
8990499	1/2	13	8997600, 8998600, 8999600
8991599	5/8	16	8997700, 8998700, 8999700
8991699	3/4	20	8997800, 8998800
8990799	7/8	22	8997900, 8998900



Spare Pin & Collar Sets for Coupling Links

STOCK #	Chain Size		Use with Stock #
	Inches	mm	
8952999	7/32	6	8952900
8953199	9/32	7	8953100
8953099	5/16	8	8953000
8953299	3/8	10	8953210
8953399	1/2	13	8953300
8953499	5/8	16	8953400
8953589	3/4	20	8953510
8953699	7/8	22	8953610



G80/G100 ALLOY CHAIN



Peerless alloy chain is rugged, versatile, high-strength, low-weight chain manufactured from special analysis alloy steel. It is quenched and tempered before proof testing and the ultimate tensile strength is over twice that of ordinary steel chain. Tensile strength following heat treatment meets or exceeds all existing OSHA, Government, NACM and ASTM specification requirements.



G80 ALLOY CHAIN – Full Drum

STOCK #	Trade Size		Wire Dia. (In.)	Inside Link Dim. (In.)		Ft. Per Drum	Net Wt. Lbs.	Working	
	Inches	mm		Length (Nominal)	Width (Min.)			Lbs.	Kgs.
5050223	9/32	7	0.279	0.827	0.405	800	610	3,500	1,588
5050323	5/16	8	0.310	0.945	0.480	500	457	4,500	2,041
5050423	3/8	10	0.392	1.182	0.560	500	737	7,100	3,221
5050623	1/2	13	0.516	1.535	0.750	300	743	12,000	5,443
5050823	5/8	16	0.630	1.890	0.902	200	725	18,100	8,210
5050923	3/4	20	0.781	2.420	1.140	100	575	28,300	12,837
5051023	7/8	22	0.906	2.660	1.260	100	793	34,200	15,513
5051123	1	26	1.032	2.900	1.420	50	520	47,700	21,636
5051223*	1-1/4	32	1.260	3.780	1.640	66	1,023	72,300	32,795

* Sourced by Peerless Industrial Group

G80 ALLOY CHAIN – Half Drum

STOCK #	Trade Size		Wire Dia. (In.)	Inside Link Dim. (In.)		Ft. Per Drum	Net Wt. Lbs.	Working	
	Inches	mm		Length (Nominal)	Width (Min.)			Lbs.	Kgs.
5050224	9/32	7	0.279	0.827	0.405	400	305	3,500	1,588
5050324	5/16	8	0.310	0.945	0.480	250	229	4,500	2,041
5050424	3/8	10	0.392	1.182	0.560	250	369	7,100	3,221
5050624	1/2	13	0.516	1.535	0.750	150	372	12,000	5,443



DO NOT exceed the Working Load Limit! (WLL)



G100 ALLOY CHAIN – Full Drum

STOCK #	Trade Size		Wire Dia. (In.)	Inside Link Dim. (In.)		Ft. Per Drum	Net Wt. Lbs.	Working	
	Inches	mm		Length (Nominal)	Width (Min.)			Lbs.	Kgs.
5510223	9/32	7	0.283	0.870	0.405	800	616	4,300	1,950
5510323	5/16	8	0.332	1.010	0.480	500	560	5,700	2,585
5510423	3/8	10	0.404	1.226	0.560	500	760	8,800	3,992
5510623	1/2	13	0.529	1.570	0.750	300	813	15,000	6,804
5510823	5/8	16	0.641	1.988	0.902	200	748	22,600	10,251
5510923	3/4	20	0.812	2.417	1.139	100	629	35,300	16,012
5511023	7/8	22	0.906	2.660	1.260	100	793	42,700	19,368
5511123	1	26	1.032	3.092	1.420	50	505	59,700	27,079

G100 ALLOY CHAIN – Half Drum

STOCK #	Trade Size		Wire Dia. (In.)	Inside Link Dim. (In.)		Ft. Per Drum	Net Wt. Lbs.	Working	
	Inches	mm		Length (Nominal)	Width (Min.)			Lbs.	Kgs.
5510224	9/32	7	0.283	0.870	0.405	400	308	4,300	1,950
5510324	5/16	8	0.332	1.010	0.480	250	280	5,700	2,585
5510424	3/8	10	0.404	1.226	0.560	250	380	8,800	3,992
5510624	1/2	13	0.529	1.570	0.750	150	407	15,000	6,804

Grade 80 Chain:
P8 stamped
every 8-12 links

Grade 100 Chain:
P10 stamped
every 10 links



DO NOT exceed the Working Load Limit! (WLL)