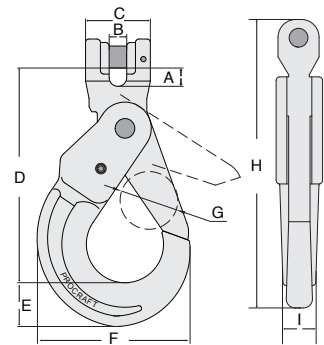


## ProCraft Grade 100 Eye Self Locking Hooks

These self locking hooks are suitable for overhead lifting in a wide variety of applications. Commonly used with overhead lifting chain assemblies, but with the oversized eye it can be used for wire rope bridles, web slings bridles and synthetic rope assemblies. The trigger kit is recessed for increased safety, and will only release when unloaded. The hook will close when loaded and will remain closed until unloaded. Manufactured and proof load tested to EN 1677-4, and individually marked with manufacturer and batch code numbers that complies with or exceeds ASTM standards.

Stock Code	Number Code	Nominal Size	Working Load Limit Pounds 4:1 FOS	Working Load Limit Pounds 5:1 FOS	Dimension Inches									Weight per Piece Pounds
					A	B	C	D	E	F	G	H	I	
71HSA-E1008PR	P620H	9/32 & 5/16	5,700	4,560	0.9	0.4	1.8	5.2	1.0	3.4	1.3	6.7	0.9	2.0
71HSA-E1012PR	P620H	3/8	8,800	7,040	1.3	0.5	2.5	8.6	1.3	4.4	1.8	8.6	1.1	3.8
71HSA-E1016PR	P620H	1/2	15,000	12,000	1.5	0.7	3.2	8.2	1.6	5.4	2.0	10.6	1.3	7.2
71HSA-E1020PR	P620H	5/8	22,600	18,080	1.9	0.9	3.9	10.0	2.1	6.8	2.5	13.0	1.7	13.8



## ProCraft Grade 100 Clevis Self Locking Hooks

These self locking hooks are suitable for overhead lifting in a wide variety of applications. The clevis head fitting connects directly to an overhead lifting chain, eliminating extra components which would increase the weight of a sling. The trigger kit is recessed for increased safety, and will only release when unloaded. The hook will close when loaded and will remain closed until unloaded. Manufactured and proof load tested to EN 1677-4, and individually marked with manufacturer and batch code numbers that complies with or exceeds ASTM standards.

Stock Code	Number Code	Nominal Size	Working Load Limit Pounds 4:1 FOS	Dimension Inches									Weight per Piece Pounds
				A	B	C	D	E	F	G	H	I	
71HSA-1008PR	P620CH	9/32 & 5/16	5,700	0.4	0.4	1.5	4.7	1.0	3.4	1.3	6.5	0.9	2.2
71HSA-1012PR	P620CH	3/8	8,800	0.5	0.5	1.9	5.9	1.3	4.4	1.8	8.1	1.1	4.0
71HSA-1016PR	P620CH	1/2	15,000	0.6	0.6	2.2	7.3	1.6	5.4	2.0	10.0	1.3	7.6
71HSA-1020PR	P620CH	5/8	22,600	0.8	0.7	3.0	8.5	2.1	6.8	2.5	11.8	1.7	14.5
71HSA-1024PR	P620CH	3/4	35,300	0.9	0.9	3.2	9.3	2.5	7.9	3.0	13.1	1.9	20.8