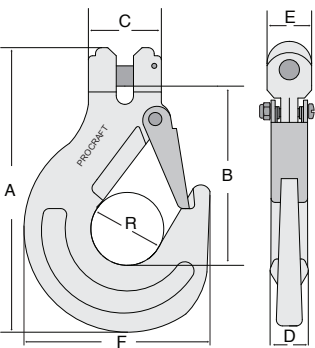


## ProCraft Grade 100 Eye Sling Hook

These sling hooks are suitable for overhead lifting in a wide variety of applications. Commonly used with overhead lifting chain assemblies, but with the oversized eye it can be used for wire rope bridles, web slings bridles and synthetic rope assemblies. It comes complete with a heavy duty forged latch installed for increased protection from damage and constant replacement. Manufactured and proof load tested to EN 1677-4, and individually marked with manufacturer and batch code numbers that complies with or exceeds ASTM standards.

Stock Code	Number Code	Nominal Size	Working Load Limit Pounds 4:1 FOS	Working Load Limit Pounds 5:1 FOS	Dimension Inches							Weight per Piece Pounds
					A	B	C	D	E	F	R	
71HSE-1008PR	P835	9/32 & 5/16	5,700	4,560	5.3	3.7	1.0	0.7	0.5	3.4	0.9	1.4
71HSE-1012PR	P835	3/8	8,800	7,040	6.9	4.8	1.3	1.0	0.6	4.5	1.1	2.7
71HSE-1016PR	P835	1/2	15,000	12,000	8.5	6.0	1.6	1.2	0.7	5.2	1.5	4.5
71HSE-1020PR	P835	5/8	22,600	18,080	10.8	8.0	1.9	1.4	0.9	6.9	1.9	10.2
71HSE-1024PR	P835	3/4	35,300	28,240	13.0	9.5	2.4	1.7	1.0	8.3	2.3	17.8



## ProCraft Grade 100 Clevis Sling Hook

These sling hooks are suitable for overhead lifting in a wide variety of applications. The clevis head fitting connects directly to an overhead lifting chain, eliminating extra components which would increase the weight of a sling. It comes complete with a heavy duty forged latch installed for increased protection from damage and constant replacement. Manufactured and proof load tested to EN 1677-4, and individually marked with manufacturer and batch code numbers that complies with or exceeds ASTM standards.

Stock Code	Number Code	Nominal Size	Working Load Limit Pounds 4:1 FOS	Dimension Inches							Weight per Piece Pounds
				A	B	C	D	E	F	R	
71HSL-1008PR	P520	9/32 & 5/16	5,700	5.3	3.3	1.5	0.7	0.8	3.4	0.9	1.6
71HSL-1012PR	P520	3/8	8,800	6.5	3.9	2.0	1.0	1.1	4.5	1.1	2.7
71HSL-1016PR	P520	1/2	15,000	7.8	5.0	2.2	1.2	1.4	5.2	1.5	4.7
71HSL-1020PR	P520	5/8	22,600	10.1	6.8	2.6	1.4	1.7	6.9	1.9	10.2
71HSL-1024PR	P520	3/4	35,300	12.4	8.5	3.4	1.7	2.2	8.3	2.3	19.8