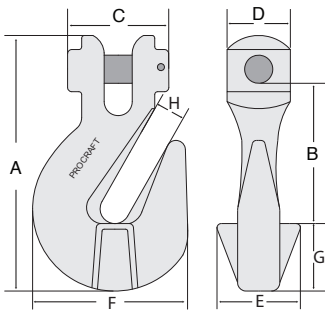


ProCraft Grade 100 Coupling Link

Coupling links are commonly used with overhead lifting chain. They are easily assembled with a hammer, and become a semi-permanent connection between the chain and fittings, forming a chain assembly. Manufactured and proof load tested to EN 1677-4, and individually marked with manufacturer and batch code numbers that complies with or exceeds ASTM standards.

Stock Code	Number Code	Nominal Size	Working Load Limit Pounds 4:1 FOS	Dimension Inches						Weight per Piece Pounds
				A	B	C	D	E	F	
71LCP-1008PR	P343	9/32	4,300	2.2	0.4	2.1	2.0	0.9	0.8	0.4
71LCP-1010PR	P343	5/16	5,700	2.2	0.5	2.1	2.0	0.9	0.8	0.5
71LCP-1012PR	P343	3/8	8,800	2.7	0.6	2.6	2.4	1.1	1.0	0.8
71LCP-1016PR	P343	1/2	15,000	3.2	0.7	3.3	3.0	1.3	1.2	1.8
71LCP-1020PR	P343	5/8	22,600	4.1	0.8	3.9	3.8	1.6	1.4	3.2
71LCP-1024PR	P343	3/4	35,300	4.9	1.0	4.6	4.3	2.0	1.7	5.0



ProCraft Grade 100 Clevis Grab Hook

These grab hooks are suitable for overhead lifting in a wide variety of applications. The clevis head fitting connects directly to an overhead lifting chain, eliminating extra components which would increase the weight of a sling. It allows for easy adjustment or shortening of leg lengths when used as part of an assembly. Manufactured and proof load tested to EN 1677-4, and individually marked with manufacturer and batch code numbers that complies with or exceeds ASTM standards.

Stock Code	Number Code	Nominal Size	Working Load Limit Pounds 4:1 FOS	Dimension Inches								Weight per Piece Pounds
				A	B	C	D	E	F	G	H	
71HGR-1008PR	P819	9/32 & 5/16	5,700	3.8	2.0	1.5	0.9	1.4	2.3	1.0	0.4	1.0
71HGR-1012PR	P819	3/8	8,800	5.0	2.8	1.8	1.1	1.7	2.9	1.5	0.5	2.0
71HGR-1016PR	P819	1/2	15,000	6.1	3.4	2.3	1.4	2.2	3.7	1.7	0.6	4.0
71HGR-1020PR	P819	5/8	22,600	7.1	4.0	2.6	1.6	2.5	4.2	1.8	0.9	7.0
71HGR-1024PR	P819	3/4	35,300	8.5	4.8	3.1	1.8	2.6	5.3	2.2	1.0	9.7