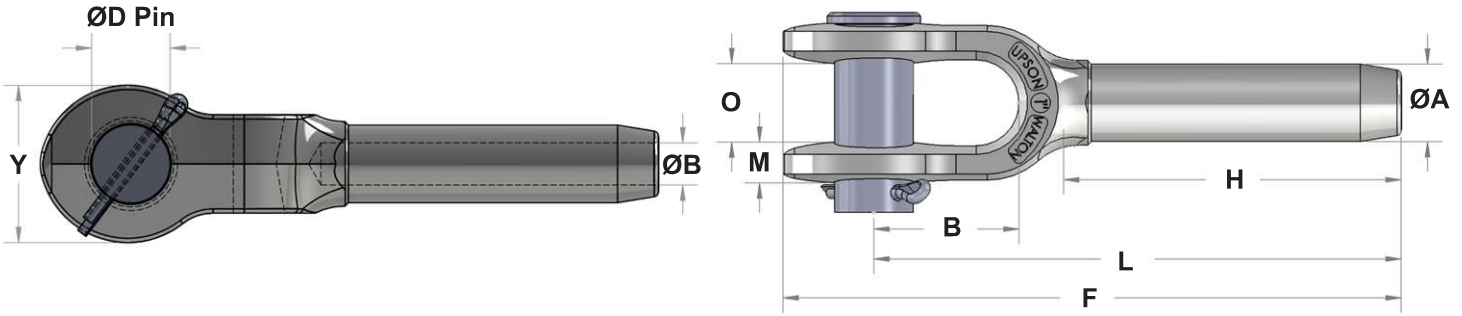




# Open Swage Sockets - Carbon Steel



Stock No.	Rope Size	Dimensions										Weight lbs. Each	After Swage Min - Max
		A	B	D	E	F	H	L	M	O	Y		
40025002	1/4	0.495	0.272	0.688	1-1/2	4-3/4	2-1/8	4	5/16	11/16	1-3/8	0.57	0.428 - 0.460
40031302	5/16	0.770	0.339	0.812	1-3/4	6-1/4	3-3/16	5-5/16	13/32	13/16	1-5/8	1.25	0.678 - 0.710
40037502	3/8	0.770	0.406	0.812	1-3/4	6-1/4	3-3/16	5-5/16	13/32	13/16	1-5/8	1.20	0.678 - 0.710
40043802	7/16	0.982	0.484	1.000	2	7-13/16	4-1/4	6-11/16	1/2	1	2	2.45	0.865 - 0.910
40050002	1/2	0.982	0.547	1.000	2	7-13/16	4-1/4	6-11/16	1/2	1	2	2.40	0.865 - 0.910
40056302	9/16	1.257	0.609	1.190	2-1/4	9-9/16	5-5/16	8-1/8	5/8	1-1/4	2-1/2	4.80	1.115 - 1.160
40062502	5/8	1.257	0.672	1.190	2-1/4	9-9/16	5-5/16	8-1/8	5/8	1-1/4	2-1/2	4.50	1.115 - 1.160
40075002	3/4	1.545	0.796	1.380	2-3/4	11-11/16	6-3/8	10	3/4	1-1/2	3	7.80	1.365 - 1.420
40087502	7/8	1.700	0.938	1.630	3-1/4	13-5/8	7-7/16	11-5/8	15/16	1-3/4	3-3/8	11.80	1.490 - 1.550
40100002	1-0/0	1.975	1.062	2.000	3-3/4	15-5/8	8-1/2	13-3/8	1-1/32	2	4	17.80	1.740 - 1.800
40112502	1-1/8	2.245	1.188	2.250	4-1/4	17-1/2	9-9/16	15	1-3/16	2-1/4	4-1/2	28.90	1.990 - 2.050
40125002	1-1/4	2.525	1.328	2.500	4-3/4	19-7/16	10-5/8	16-1/2	1-3/16	2-1/2	5	36.20	2.240 - 2.300
40137502	1-3/8	2.800	1.453	2.500	5-1/4	21-1/4	11-11/16	18-1/8	1-5/16	2-1/2	5-1/4	47.70	2.490 - 2.560
40150002	1-1/2	3.075	1.578	2.750	5-3/4	23-1/4	12-3/4	19-3/4	1-7/16	3	5-3/4	64.40	2.740 - 2.810
40175002	1-3/4	3.385	1.859	3.500	6-3/4	27-1/8	14-7/8	23	1-11/16	3-1/2	7	93.40	2.990 - 3.060
40200002	2-0/0	3.935	2.109	3.750	8	31-7/16	17	26-3/4	1-13/16	4	8	148.00	3.490 - 3.560
40225002	2-1/4	4.450	2.360	4.250	6-3/4	32-7/8	19-1/8	27-3/4	2-9/16	4-1/2	8-3/4	173.00	3.950 - 4.020
40250002	2-1/2	4.930	2.657	4.250	6-3/4	34-5/8	19-5/8	29-1/2	2-9/16	4-1/2	8-3/4	233.00	4.350 - 4.420
40300002	3-0/0	5.960	3.166	5.250	8-5/8	41-1/8	23-3/4	35-5/8	3	5-3/4	9-1/2	382.00	5.240 - 5.310

**CAUTION**

Carbon Steel Open Swage Sockets are recommended for use on 6 x 19 or 6 x 37 IPS or XIP, (EIP), XXIP (EEIP) IWRC regular lay ropes. Before using Swage Sockets with any other type lay, construction, or grade of wire rope or strand, it is recommended that a test assembly be destructively tested to prove the adequacy of the assembly.

