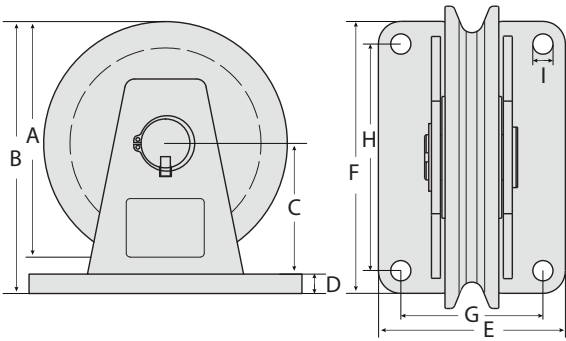


ProCraft Vertical Lead Blocks

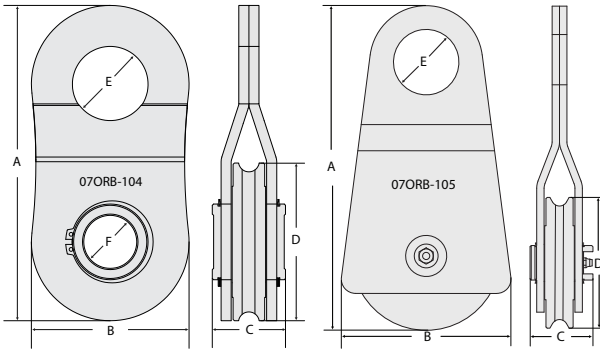
These versatile blocks are a permanent mountable block offering four mounting holes to affix firmly to the wall, ceiling or a solid flat surface. The pulley is designed for use with wire or synthetic rope. The base is galvanized for increased weather protection. Installation should not be carried out until establishing that the point of affixment conforms to the strength and force requirements of the application.



Stock Code	Resultant Working Load Limit	Wire Rope Diameter Inches	Dimension Inches									Weight per Piece Pounds
			A	B	C	D	E	F	G	H	I	
07VLB-010	1 ton	5/16	4.92	5.49	2.64	0.39	2.36	5.51	1.38	4.33	0.47	5.40
07VLB-020	2 ton	3/8	5.90	6.57	3.15	0.47	3.15	7.09	1.57	5.51	0.55	10.00
07VLB-030	3 ton	7/16	7.87	8.66	4.13	0.59	3.94	9.06	1.97	7.09	0.71	20.50

ProCraft Off Road Blocks

These blocks are perfect for winching or hauling where increased capacity in a winch line is required. The two opening cheek plates allows quick access for synthetic or wire winch-lines. These blocks are not suitable for overhead lifting or critical load bearing applications.



Stock Code	Rated Capacity	Wire Rope Diameter Inches	Dimension Inches						Weight per Piece Pounds
			A	B	C	D	E	F	
07ORB-104	4,500 lbs	7/16	8.00	4.00	1.85	4.00	2.00	1.50	4.20
07ORB-105	12,000 lbs	9/16	11.00	5.60	2.25	5.00	2.00	N/A	8.10